

DC TRACTION MOTORS SERIES 3M



DC TRACTION MOTORS SERIES 3M

USE:

Traction motors of the series 3M are designated for the main drives of small road and rail-way vehicles, lift fork and platform trucks and further for auxiliary drives of servo systems, hydromechanisms, fans, compressors etc.

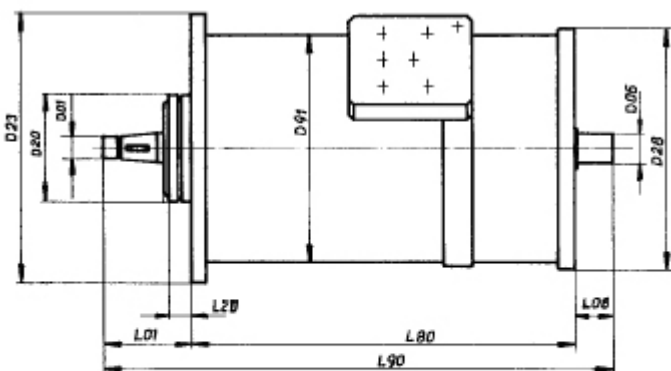
Motors are fed from converters connected to an Aku-battery or to DC-network with voltage 12 to 120 V according the motor size.

GENERALLY:

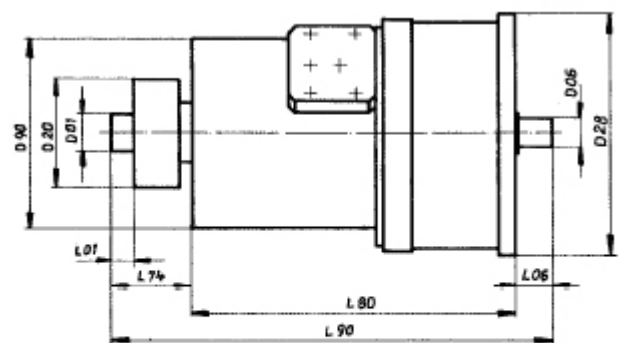
- Common environments with ambient temperature -20 to +40 °C, on request tropical wet or universal.
- Feet mounting IM 1..., flange IM 3... or feet-flange IM 2... One or two free shaft ends (cylindrical, conical, with serrations).
- Enclosure open IP 2. or closed IP 44 with power reduction.
- Fan connected with a shaft IC 01 or without fan IC 00.
- Field winding series (S) – higher starting torque, parallel (D), compound (K = S + D) – restricted no-load speed.
- By field windings S or K there are two (one sense of rotation) or 4 terminals (both senses or energy recuperation by braking).
- Current inlets either with terminals on the motor frame or with a free cable.
- Any changes of data, dimensions and other more details on request.

TECHNICAL DATA

TYPE	TZ	P kW	U V	I _a A	n min ⁻¹	M Nm	m kg	Duty	Excit.	IP	IC	IM	Rotat.
S56 F	3744.0302	0,4	48	12	5500	0,7	6	S1	S	20	00	spec.	±
	3744.0303	0,15	24	10	1350	1,06	6	S1	S	20	00	spec.	±
3MG 63L	3701.0201	0,2	110	2,5	1500	1,3	10	S1	D	44	00	2001	±
S 63 S	3475.9001	0,61	24	36	2650	2,2	10	S2 60'	K	00	00	9101	±
S63 L		1	24	54,5	2200	4,3	12	S2 60'	K	00	00	9101	±
3MB 80J	3580.0301	1	24	53	1850	5,2	21	S2 60'	K	20	00	spec.	±
3MB 80J2	3580.0303	0,8	48	23,5	850	9	21	S1	K	20	01	3000	-
3MB 100J	3610.0101	7,6	80	117	3000	24,2	41	S3 15%	S	22	01	1001	-
3MB 100J	3610.0102	7,6	80	117	3000	24,2	41	S3 15%	S	22	01	1001	-
3MB 100H	3620.0101	13,1	80	200	2850	43,9	48	S3 15%	S	22	01	1001	-
3MB 100H	3620.0102	13,1	80	200	2850	43,9	48	S3 15%	S	22	01	1001	-
3MB 112 J2	3640.0201	15	80	240	1900	75,4	82	S3 15%	K	22	01	2001	-
3MB 132 S1	3650.0201	8,8	80	135	1700	49,4	103	S2 60'	S	22	01	2101	±
3MB 132 S2	3660.0201	16	80	245	2200	69,5	110	S2 60'	S	22	01	2101	±
3MB 132 S2B	3660.0203	16	80	245	2200	69,5	110	S2 60'	S	22	01	2101	±
3MB 132 S	3655.9301	2,3	42	68	1320	16,6	86	S2 60'	S	22	01	spec.	±
	3655.9302	4,5	48	112	1500	28,7	86	S2 60'	S	22	01	spec.	±
	3655.9303	2,3	42	68	1320	16,6	86	S2 60'	S	22	01	spec.	±
	3655.9304	4,5	48	112	1500	28,7	86	S2 60'	S	22	01	spec.	±



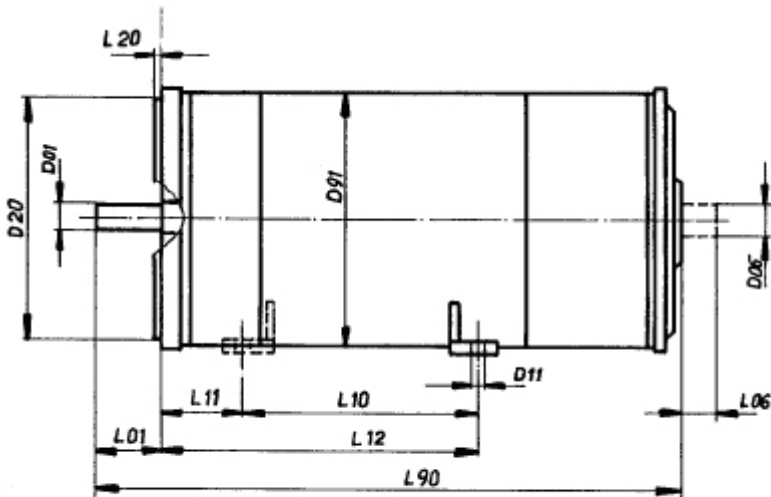
Pic. 1



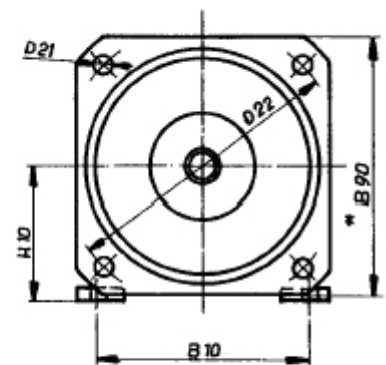
Pic. 2

DIMENSIONS

Pict.	B10	B90	D01	D06	D11	D20	D21	D22	D23	D28	D90	D91	H10	L01	L06	L10	L11	L12	L20	L74	L80	L90
1			Serration External			54,97			102	102		100		16,3					2,5		161	177,3
3	100	124	16		7	100	M8	130				124	63	40		90	40		4			270
2			Serration External	20		72				160	125			14	26					52	193	271
																					228	306
1			M14 x1,5	20		70			179	160				59	26				15		260	345
			Serration Internal			83				156		150							9			285
3	160		25		12		M8		250			191	100	9		180	65				391	400
																200					426	435
3	190		18		12		M8		300			216	112			200	77					458
3	216	260 x 260	Serration External		15	190	19	300	350			260	132	65				267				525
				M16x 1,5											88			229	5			575
																						661
1	con.																					
	con.		M17 x1			230			300	264		260		217,5					4		321	538,5
	cyl.																					
	cyl.																					



Pic. 3



Pic. 4

