

# Bulmach

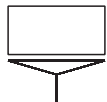
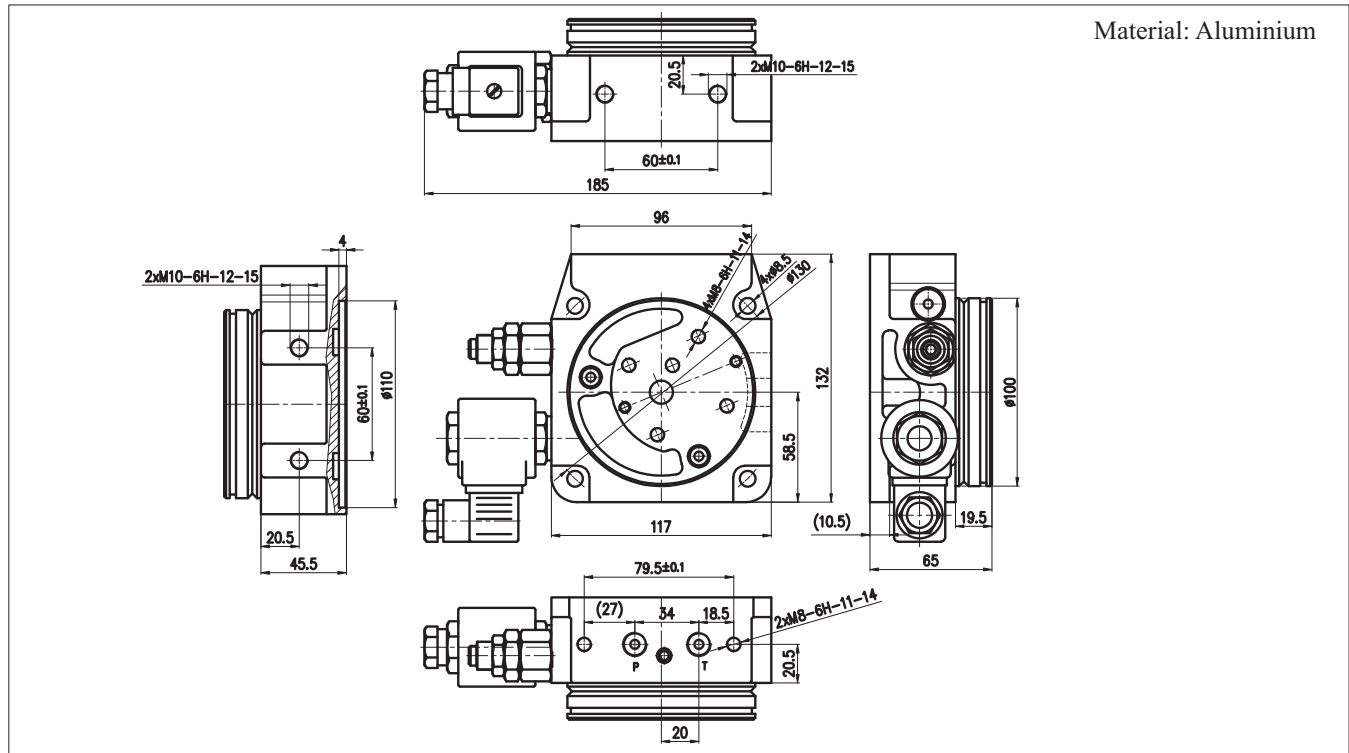
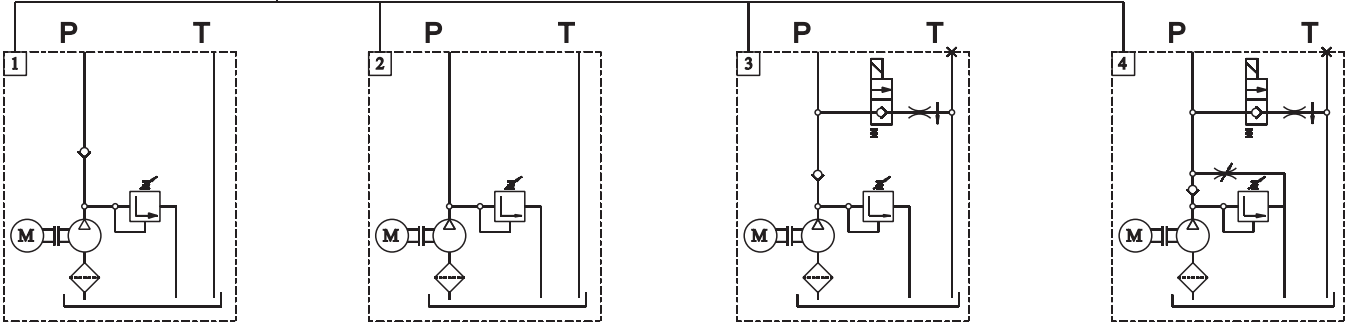


**MINI POWER PACKS**

MPP-

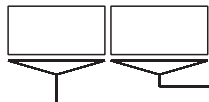
# Central block

Hydraulic scheme



# Pressure range

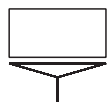
p[bar]	50	75	100	125	150	175	200	225	240
--------	----	----	-----	-----	-----	-----	-----	-----	-----



# Solenoid valve

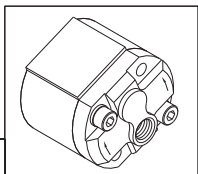
Denomination	Diagram	Denomination	Diagram	Denomination	Diagram
EV08-2B		EV08-2A		MV08-2B-A	

Solenoid	Solenoid	Solenoid
12V DC	12 V RAC	110V RAC
24V DC	24 V RAC	220V RAC



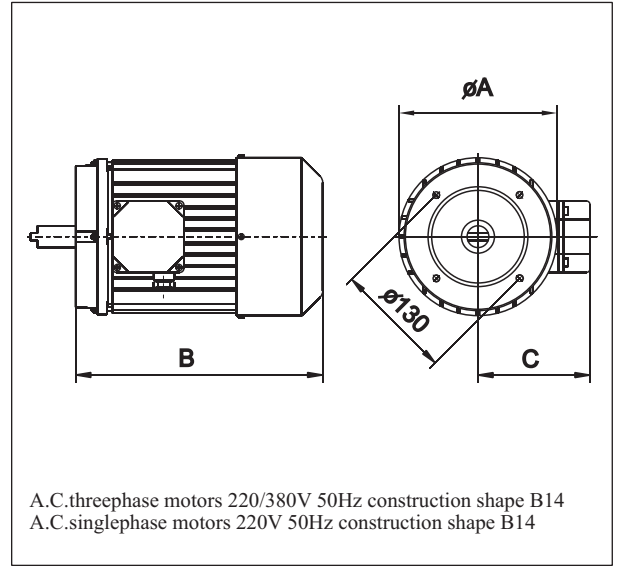
# Pump

cc/rev.	1.0	1.25	1.6	2.0	2.5	3.15	3.65	4.2	5.0	5.7	6.1	7.4	8
---------	-----	------	-----	-----	-----	------	------	-----	-----	-----	-----	-----	---



# AC Motor

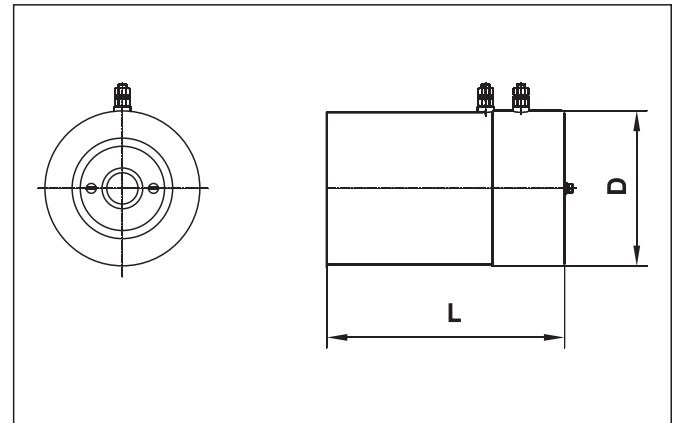
	n=1500 rpm					n=3000 rpm				
	N [kW]	U [V]	A [mm]	B [mm]	C [mm]	N [kW]	U [V]	A [mm]	B [mm]	C [mm]
n=1500 rpm	0.55	220	154	233	122	0.55	220/380	154	233	122
	0.75		154	233	122	0.75		154	233	122
	1.1		170	245	126	1.1		170	245	126
	1.5		170	270	126	1.5		170	270	126
	2.2		170	295	126	2.2		190	308	136
						3.0		190	308	136
n=3000 rpm	0.75	220	154	233	122	0.75	220/380	154	233	122
	1.1		151	233	122	1.1		154	233	122
	1.5		179	245	126	1.5		170	245	126
	2.2		179	270	126	2.2		170	270	126
						3.0		170	270	126



# DC Motor

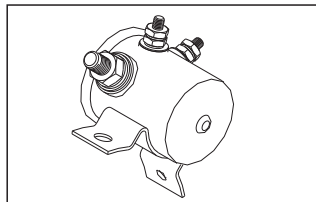
The motors are operated in short-time regime S2 (e.g. 2, 3, or 5 min.) during which they reach maximal admissible temperature after they should be left in idle regime to achieve the ambient temperature. For additional information, please contact with us.

N [kW]	U [V]	D [mm]	L [mm]
0.8	12	81	150.8
1.5	12	114	175.5
2.0	12	114	175.5
3.0	12	125	197
0.8	24	81	150.8
1.5	24	114	175.5
2.0	24	114	175.5
3.0	24	125	197



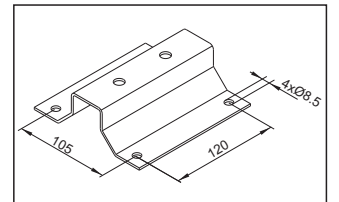
## Relay

N	Y
Without relay	With relay



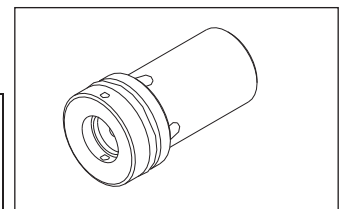
## Support

N	Y
Without	With



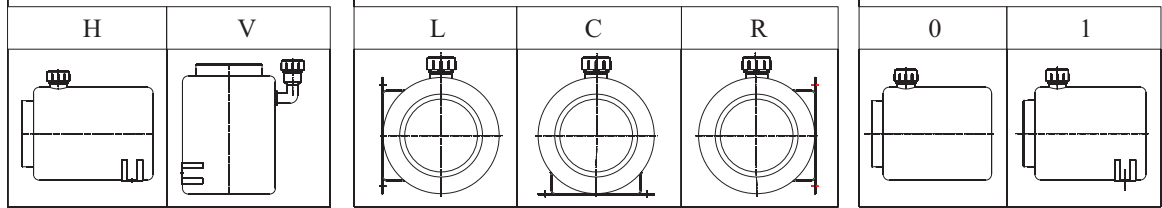
# Flow regulator pressure compensated

Regulated flow-rate [l/min]	Without	1	2	3	4	5	6	7	8	9	10
-----------------------------	---------	---	---	---	---	---	---	---	---	---	----

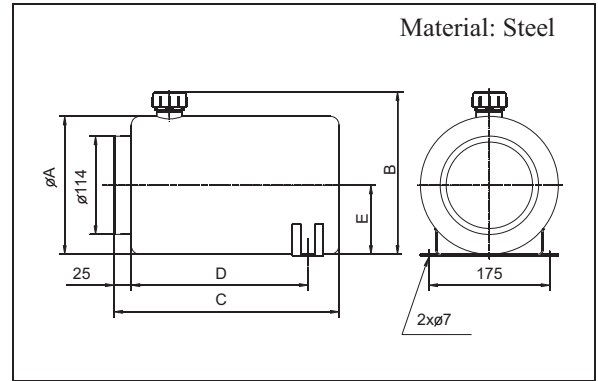


# C Oil tanks

Code	Vol. [L]
1	1
2	2
3	3
5	5
8	8
12	12

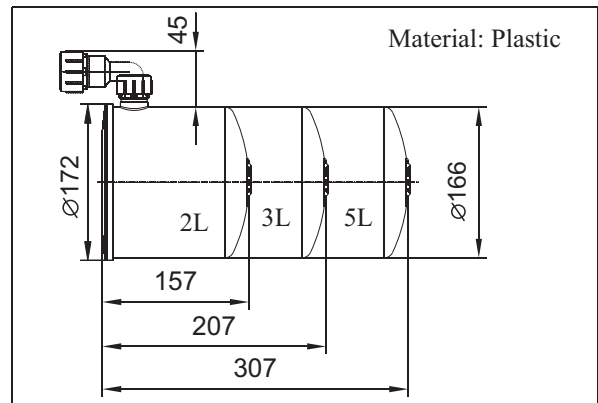
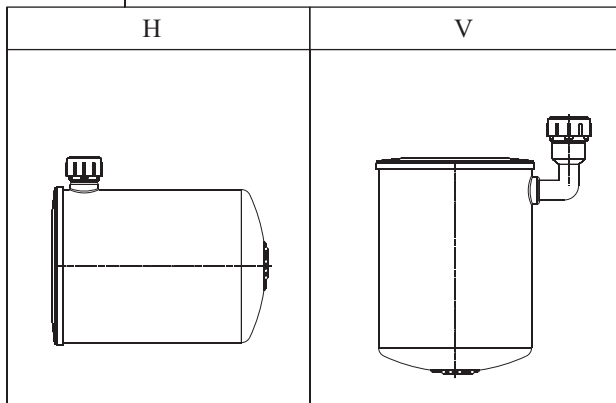


Code	Volume [L]	Dimensions				
		A [mm]	B [mm]	C [mm]	D [mm]	E [mm]
C1	1	107	143	160		53.5
C2	2	140	169	225		70
C3	3	160	189	225		80
C5	5	160	189	325		80
C8	8	200	229	325	255	100
C12	12	200	229	430	360	100



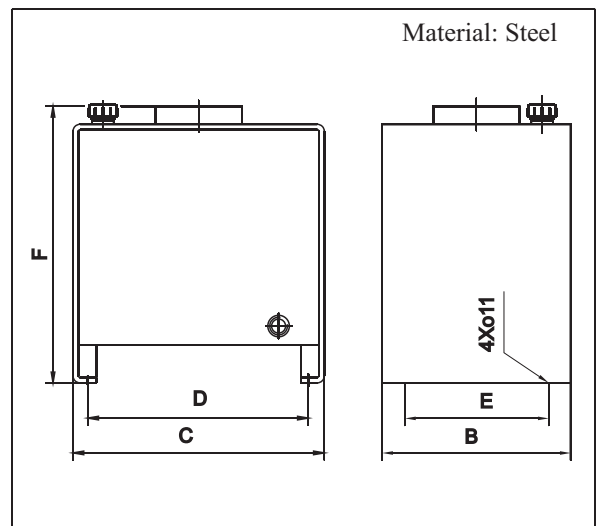
# P Oil tanks

Code	Vol. [L]
-	2
-	3
5	5



# B Oil tanks

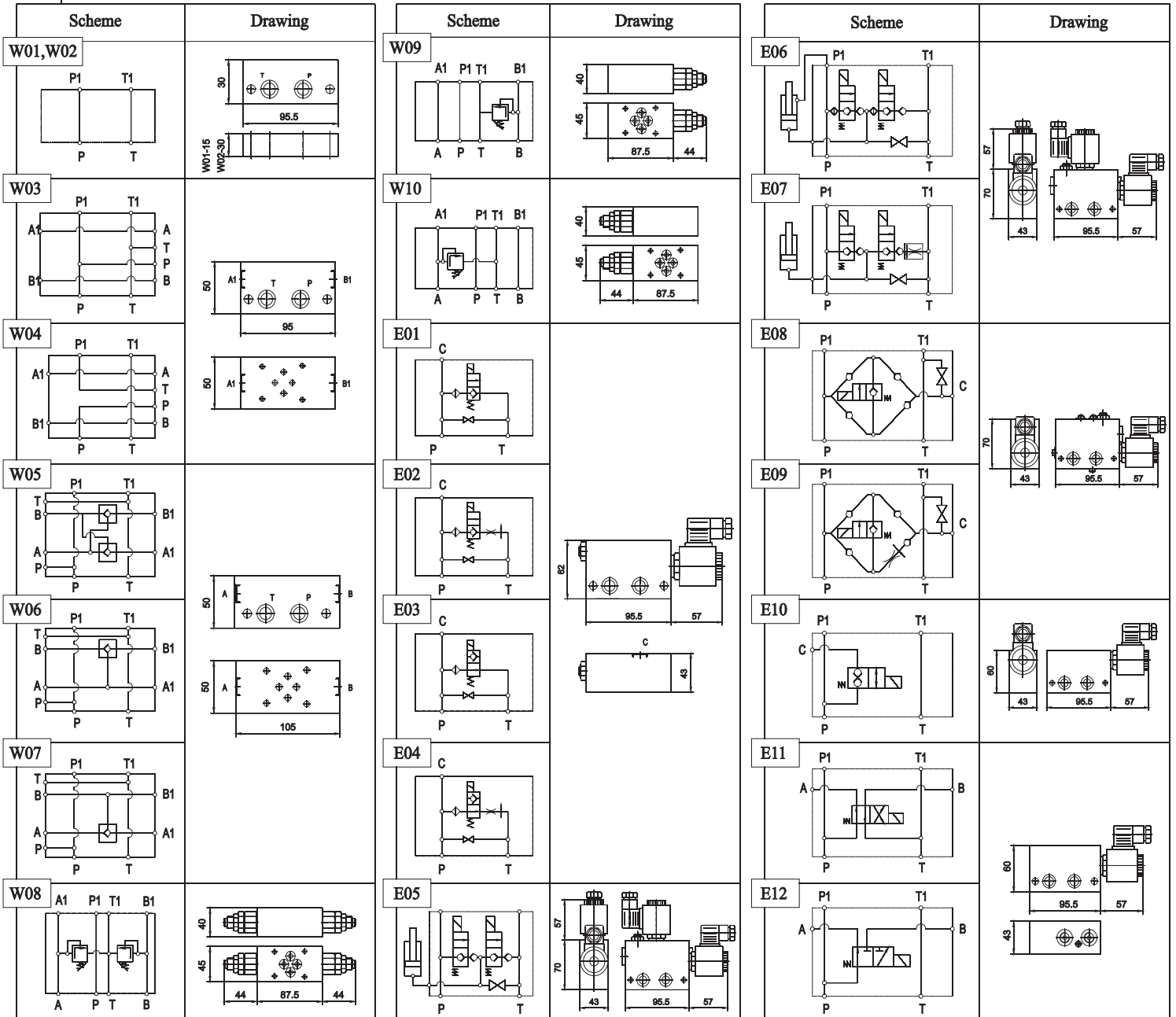
Code	Volume [L]	Dimensions				
		B [mm]	C [mm]	D [mm]	E [mm]	F [mm]
B12	12	262	280	250	200	275
B15	15	262	350	320	200	295
B20	20	262	350	320	200	385
B30	30	300	460	410	230	341
B45	45	300	460	410	230	491
B60	60	370	460	410	300	491



# Build-in valve

Solenoid	Solenoid
Without	110V,50Hz AC
12V DC	220V,50Hz AC
24V DC	220V RAC

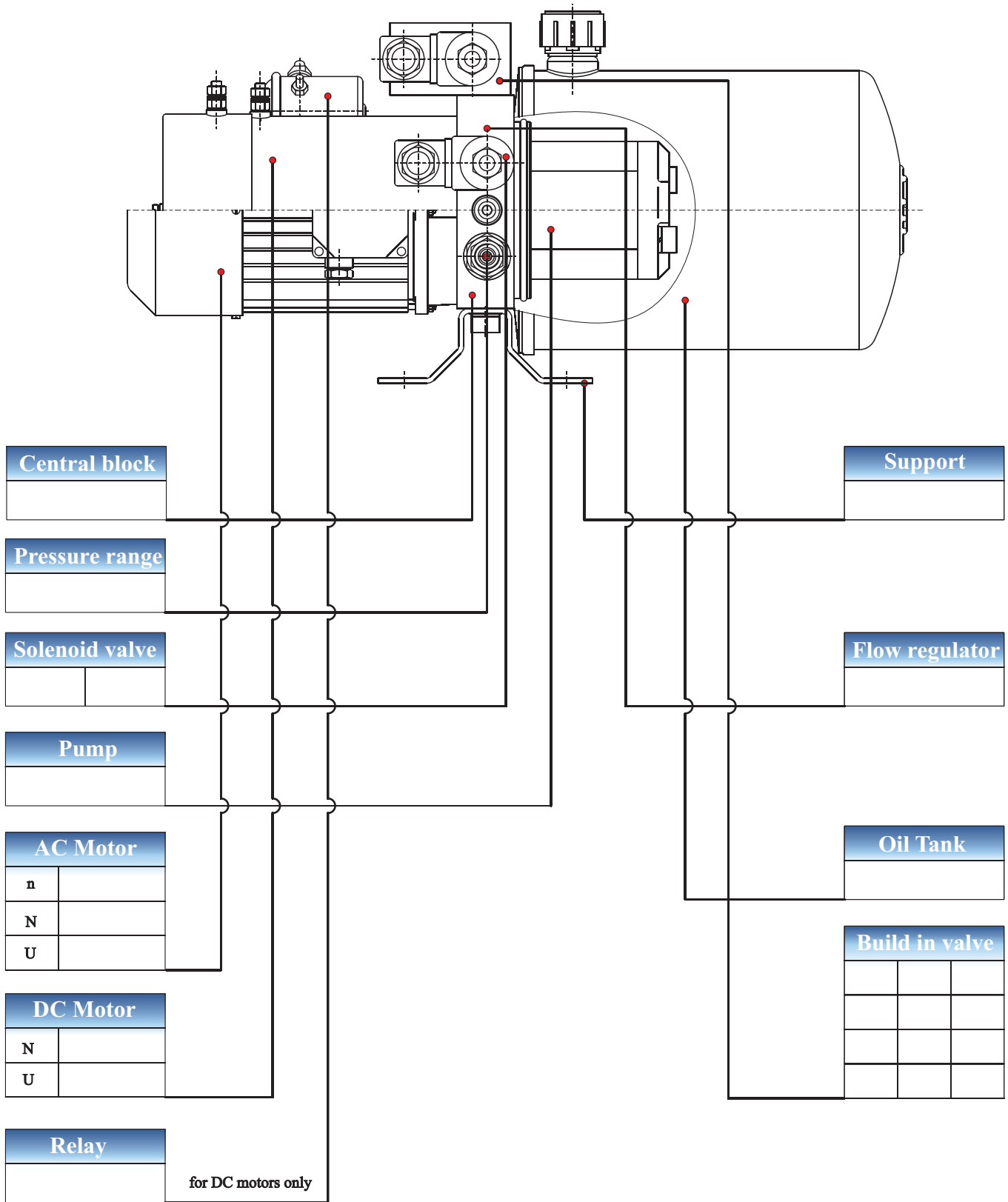
Threads
G 1/4"
G 3/8"



TO THE BLOCK THE SERIES W... IS CONNECTED A DIRECTIONAL CONTROL VALVE - TYPE CETOP 03

**TO ORDER**

**COPY THIS PAGE, FILL IN AND SEND US**



**THANKS FOR YOUR CHOICE**

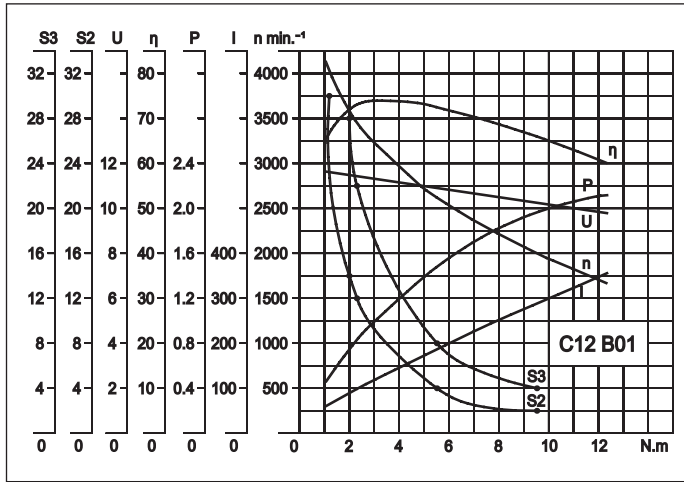


**DCM 1,5/1,2/27**

Rated Power 1.5 kW  
 Rated Voltage 12 V  
 Rated Current 180 A  
 Rated Speed 2700 min<sup>-1</sup>  
 Operation Mode S2 - 4 min  
 Excitation Compound  
 Protection IP 44  
 Insulation F  
 Weight 6.8 kg / 7.1 kg  
 Char. Curve C12 B01  
 Rotation C.W.D.E

**DCM 2,0/1,2/23**

Rated Power 2 kW  
 Rated Voltage 12 V  
 Rated Current 270 A  
 Rated Speed 2300 min<sup>-1</sup>  
 Operation Mode S2 - 1.5 min  
 Excitation Compound  
 Protection IP 44  
 Insulation F  
 Weight 6.8 kg / 7.1 kg  
 Char. Curve C12 B01  
 Rotation C.W.D.E

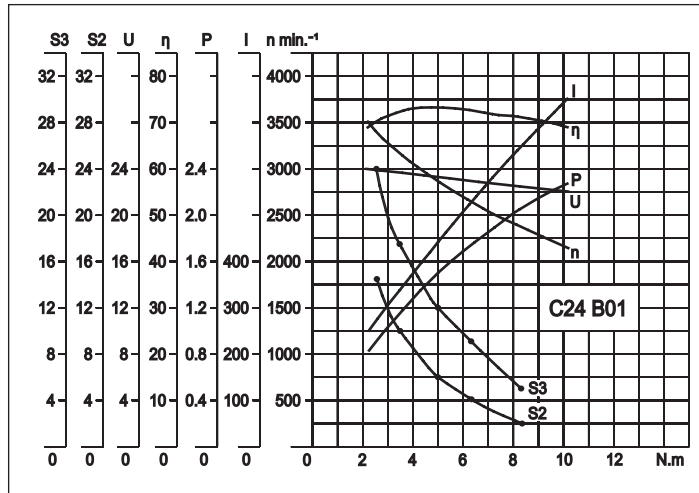


**DCM 1,5/2,4/27**

Rated Power 1.5 kW  
 Rated Voltage 24 V  
 Rated Current 90 A  
 Rated Speed 2700 min<sup>-1</sup>  
 Operation Mode S2 - 5 min  
 Excitation Compound  
 Protection IP 44  
 Insulation F  
 Weight 6.8 kg / 7.1 kg  
 Char. Curve C24 B01  
 Rotation C.W.D.E

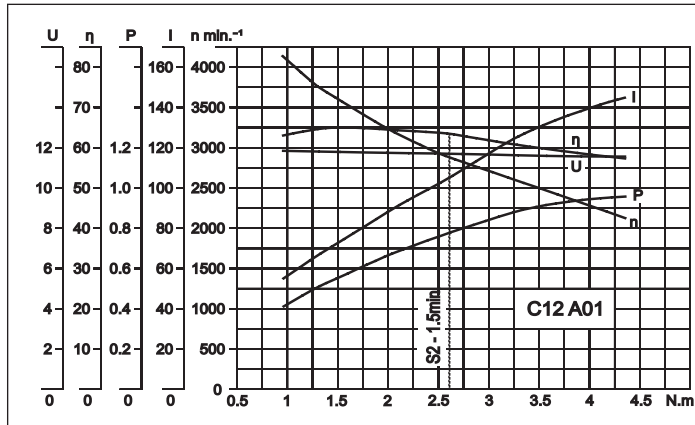
**DCM 2,0/2,4/23**

Rated Power 2 kW  
 Rated Voltage 24 V  
 Rated Current 121 A  
 Rated Speed 2300 min<sup>-1</sup>  
 Operation Mode S2 - 2 min  
 Excitation Compound  
 Protection IP 44  
 Insulation F  
 Weight 6.8 kg / 7.1 kg  
 Char. Curve C24 B01  
 Rotation C.W.D.E



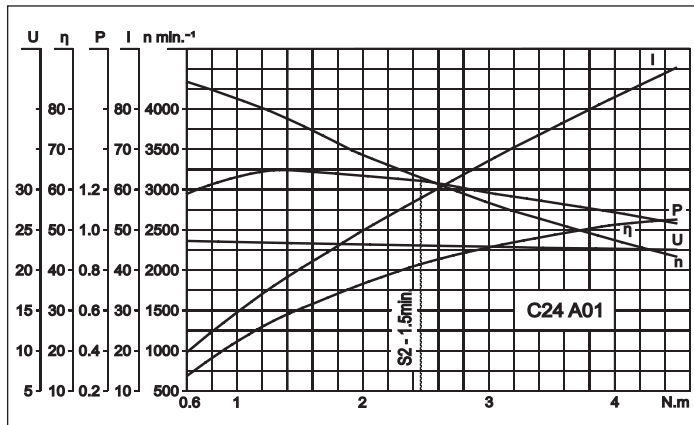
**DCM 0,8/1,2/30**

Rated Power 0.8 kW  
 Rated Voltage 12 V  
 Rated Current 110 A  
 Rated Speed 3000 min<sup>-1</sup>  
 Operation Mode S2 - 1.5 min.  
 Excitation Compound  
 Protection IP 44  
 Insulation F  
 Weight 3.1 kg  
 Char. Curve C12 A01  
 Rotation C.W.D.E



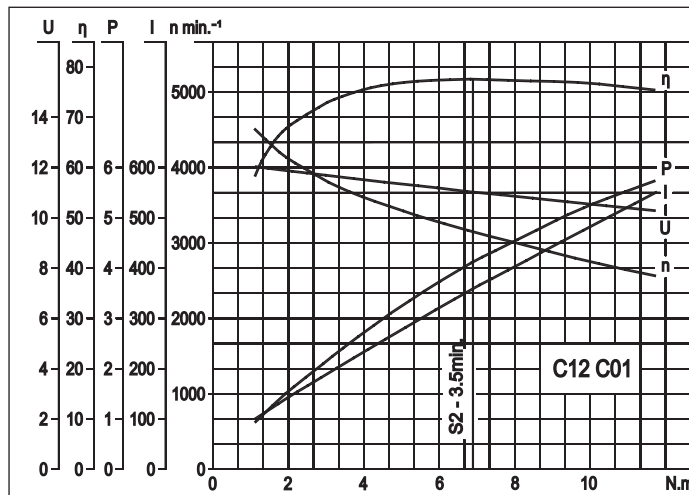
**DCM 0,8/2,4/30**

Rated Power 0.8 kW  
 Rated Voltage 24 V  
 Rated Current 58 A  
 Rated Speed 3000 min<sup>-1</sup>  
 Operation Mode S2 - 1.5 min.  
 Excitation Compound  
 Protection IP 44  
 Insulation F  
 Weight 3.1 kg  
 Char. Curve C24 A01  
 Rotation C.W.D.E



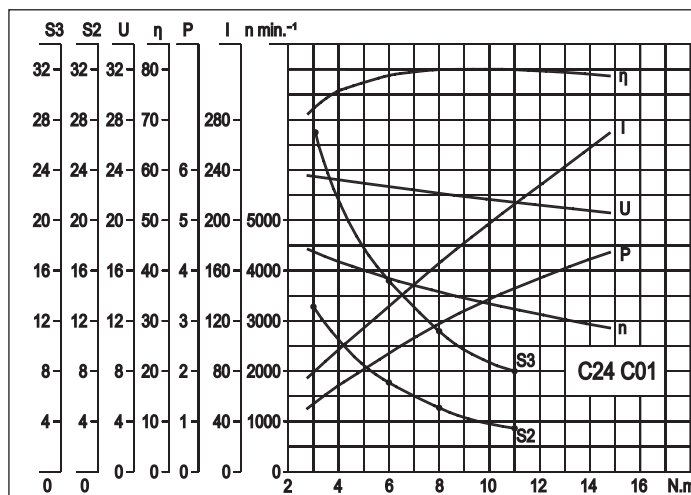
**DCM 3,0/1,2/35**

Rated Power 3 kW  
 Rated Voltage 12 V  
 Rated Current 360 A  
 Rated Speed 3500 min<sup>-1</sup>  
 Operation Mode S2 - 3.5 min  
 Excitation Compound  
 Protection IP 44  
 Insulation F  
 Weight 10.3 kg  
 Char. Curve C12 C01  
 Rotation C.W.D.E



**DCM 3,0/2,4/35**

Rated Power 3 kW  
 Rated Voltage 24 V  
 Rated Current 188 A  
 Rated Speed 3500 min<sup>-1</sup>  
 Operation Mode S2 - 4.5 min  
 Excitation Compound  
 Protection IP 44  
 Insulation F  
 Weight 9.5 kg  
 Char. Curve C24 C01  
 Rotation C.W.D.E



BULMACH LTD.

ul. Chełmska 21 budget.19,

00-724 Warsaw, Poland

Tel.: +48 22 840 65 68, +48 22 841 07 98,

+48 22 642 82 60, Fax: +48 22 112 12 23

e-mail: poczta@bulmach.pl

www.bulmach.pl